

**FLOWSELL™  
SELF-FEED SHELF SYSTEMS**



# TIERED RACKS & DISPLAY STANDS

6 Railway Avenue  
Huntingdale Vic 3166  
Australia

Phone: +61 3 9568 1977  
Fax: +61 3 9568 3521

Email: [john@flowsell.com.au](mailto:john@flowsell.com.au)  
Web: [www.flowsell.com.au](http://www.flowsell.com.au)

™Trade Mark - Patent Granted

**FlowSell™**  
SELF-FEED SHELF SYSTEMS

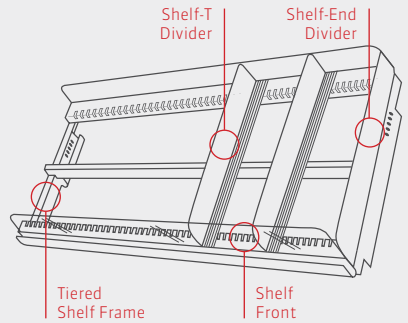
## TIERED RACKS & DISPLAY STANDS

### Main Benefits

- » **Sell more** from retail shelves that are permanently faced up... all day, every day
- » **Save more** because shelves require less maintenance and labour costs are lower
- » **Making you more profit**

### Other Benefits

- » Products are always faced up in perfect rows
- » Providing a superior product presentation
- » For easier customer identification and selection
- » Flagging stock outs for fast, easy re-stocking
- » Adaptable to any rack or display stand
- » Fitting more facings than a divided wire shelf
- » Dividers easily adjusted for faster relays
- » Strong and robust components
- » Dust settling to the floor through gaps in dividers



### Sizes and Specifications

#### Tiered Rack

**Metal or Plastic Display Stand** Custom Made to Order

Tiered FlowShelf	Shelf-T Divider	Shelf-End Divider	Shelf Front
250mm	250	250	60mm
300mm	300	300	80mm
355mm	355	355	100mm
405mm	405	405	120mm
450mm	450	450	
505mm	505	505	

**Finish** White, Beige and Black | Clear Acrylic

**Optional Components** The shelf can be combined with a Spring System to force feed product.

**Function** Ideal for gravity feeding Racked Products or for Island Displays of Spices, Vitamins, Flavours, Rigid Packs, Cans and Bottles

